

172233-1 ✓ ACTIVE

MATE-N-LOK | Mini-Universal MATE-N-LOK

TE Internal #: 172233-1

2 Position, Cap, Housing, Crimp, Wire-to-Panel / Wire-to-Wire, UL 94V-0, 4.14 mm [.163 in] Centerline, 1 Row, 600 VAC, Mini-Universal MATE-N-LOK

[View on TE.com >](#)



Connectors > Rectangular Connectors > Standard Rectangular Connectors



Connector Product Type: **Housing**

Connector & Housing Type: **Cap**

Termination Method to Wire & Cable: **Crimp**

Connector System: **Wire-to-Panel, Wire-to-Wire**

Contact Retention Within Housing: **Without**

Features

Product Type Features

Connector Product Type	Housing
Connector & Housing Type	Cap
Connector System	Wire-to-Panel, Wire-to-Wire
Sealable	No
Connector & Contact Terminates To	Wire & Cable

Configuration Features

Number of Positions	2
Number of Rows	1
Number of Power Positions	0
Number of Signal Positions	0

Electrical Characteristics

Operating Voltage	600 VDC
-------------------	---------

Body Features

Primary Product Color	Natural
-----------------------	---------

Contact Features

Multiple Contact Types	Without
Contact Layout	Inline
Contact Retention Within Housing	Without
Contact Type	Pin

Termination Features

Termination Method to Wire & Cable	Crimp
------------------------------------	-------

Mechanical Attachment

Panel Mount Feature	Without
Connector Mounting Type	Panel Mount

Housing Features

Centerline (Pitch)	4.14 mm [.163 in]
Housing Material	Nylon 66

Usage Conditions

Operating Temperature Range	-20 – 105 °C [-4 – 221 °F]
-----------------------------	----------------------------

Operation/Application

Circuit Application	Power & Signal
---------------------	----------------

Industry Standards

Compatible With Agency/Standards Products	CSA, UL
UL Rating	Recognized
Compatible With Approved Standards Products	UL E28476
CSA Rating	Certified, LR 7189
UL Flammability Rating	UL 94V-0
Glow Wire Rating	Standard Part - Not Glow Wire

Packaging Features

Packaging Quantity	1000
Packaging Method	Bag

Product Compliance

For compliance documentation, visit the product page on [TE.com](#)>

EU RoHS Directive 2011/65/EU	Compliant
------------------------------	-----------



EU ELV Directive 2000/53/EC

Compliant

China RoHS 2 Directive MIIT Order No 32, 2016

有害物质含量符合标准要求 No Restricted Substance(s) Above Threshold

EU REACH Regulation (EC) No. 1907/2006

Current ECHA Candidate List: JUNE 2025 (250)
Candidate List Declared Against: JUNE 2025 (250)
Does not contain REACH SVHC

Halogen Content

Low Halogen - Br, Cl, F < 900 ppm per homogenous material. Also BFR/CFR/PVC Free

Solder Process Capability

Not applicable for solder process capability

Product Compliance Disclaimer

This information is provided based on reasonable inquiry of our suppliers and represents our current actual knowledge based on the information they provided. This information is subject to change. The part numbers that TE has identified as EU RoHS compliant have a maximum concentration of 0.1% by weight in homogenous materials for lead, hexavalent chromium, mercury, PBB, PBDE, DBP, BBP, DEHP, DIBP, and 0.01% for cadmium, or qualify for an exemption to these limits as defined in the Annexes of Directive 2011/65/EU (RoHS2). Finished electrical and electronic equipment products will be CE marked as required by Directive 2011/65/EU. Components may not be CE marked. Additionally, the part numbers that TE has identified as EU ELV compliant have a maximum concentration of 0.1% by weight in homogenous materials for lead, hexavalent chromium, and mercury, and 0.01% for cadmium, or qualify for an exemption to these limits as defined in the Annexes of Directive 2000/53/EC (ELV). Regarding the REACH Regulation, the information TE provides on SVHC in articles for this part number is based on the latest European Chemicals Agency (ECHA) 'Guidance on requirements for substances in articles' posted at this URL: <https://echa.europa.eu/guidance-documents/guidance-on-reach>

Compatible Parts



TE Part # 8-170360-1
MINI UNIVERSAL MATE N LOK PIN.
22-18 AWG



TE Part # 770903-2
MINI UMNL PIN 22-18 AWG UNPLTD



TE Part # 770903-4
MINI UMNL PIN 22-18 AWG SN



TE Part # 170360-4
MINI UNIVERSAL M-N-L PIN



TE Part # 1-172157-2
2CIR MINI U-M-N-L CAP RED



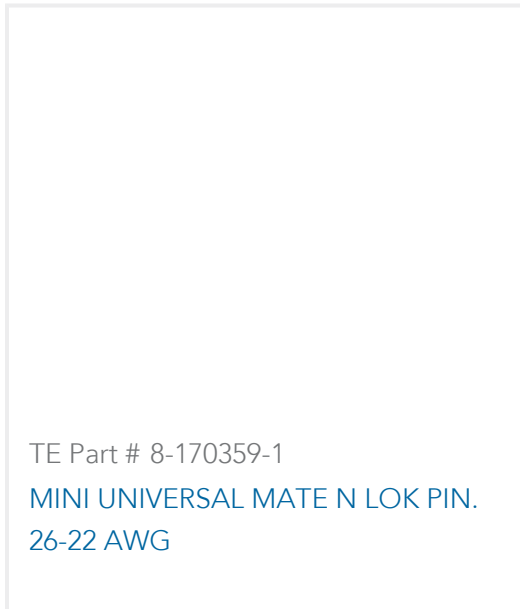
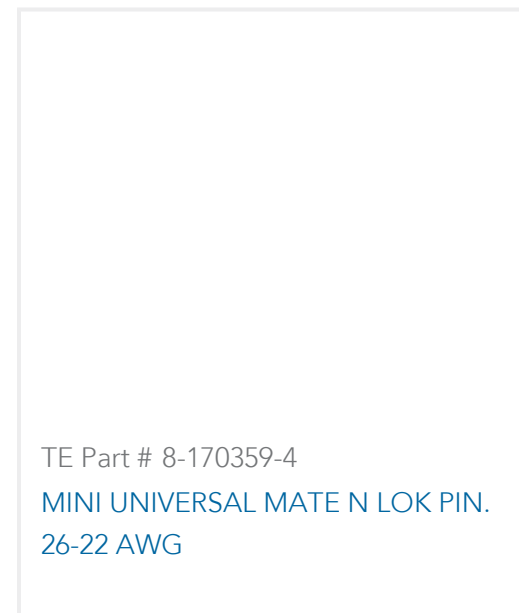
TE Part # 1-770901-0
MINI UMNL PIN 26-22 AWG AU LF



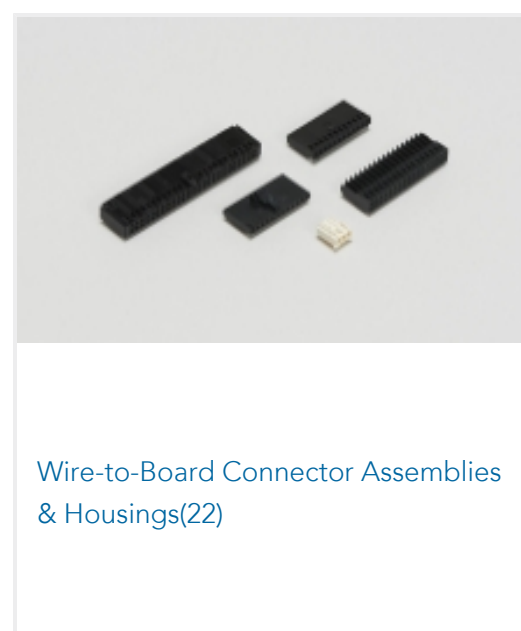
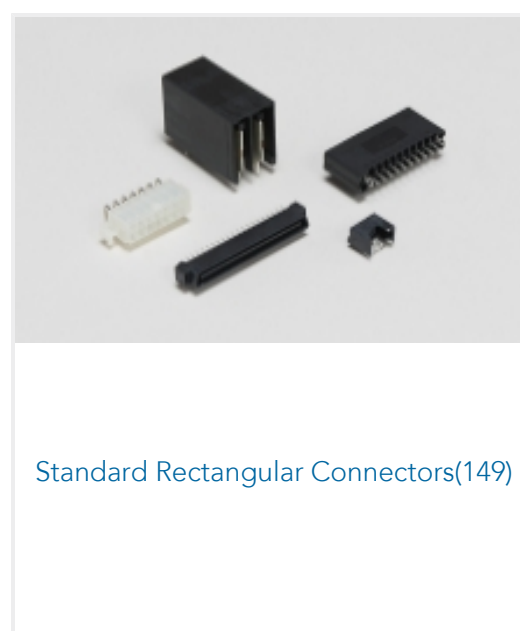
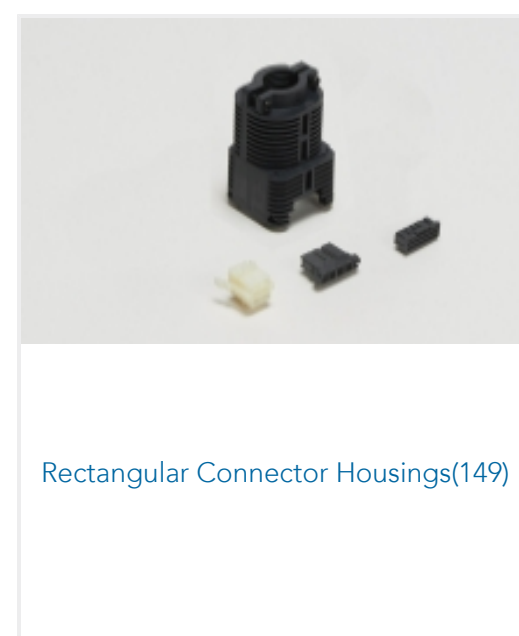
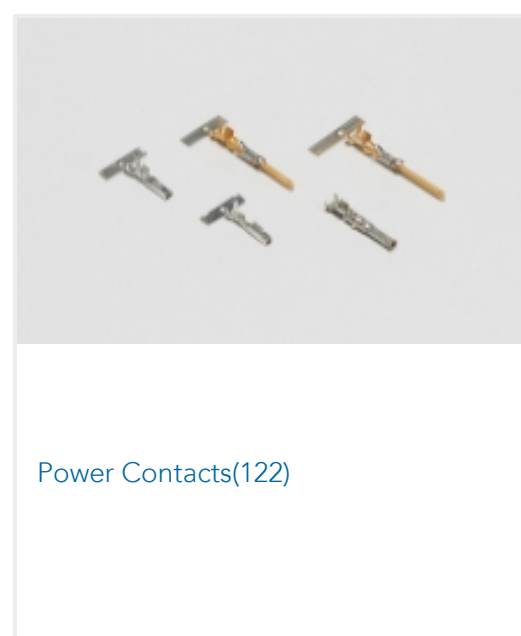
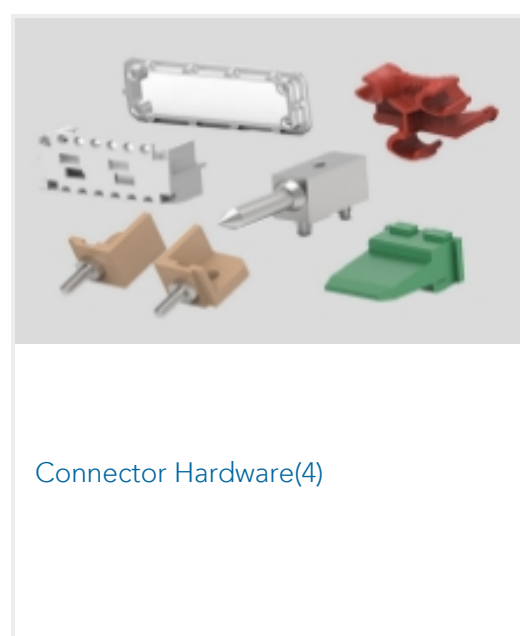
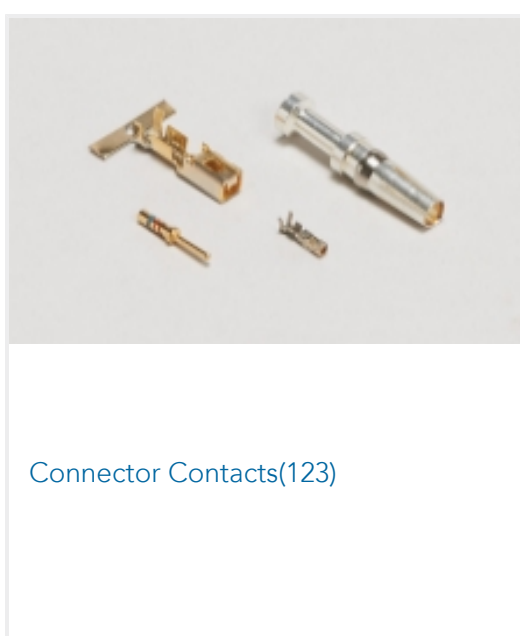
TE Part # 1-770987-0
MINI UMNL PIN 22-18 AWG AU LP



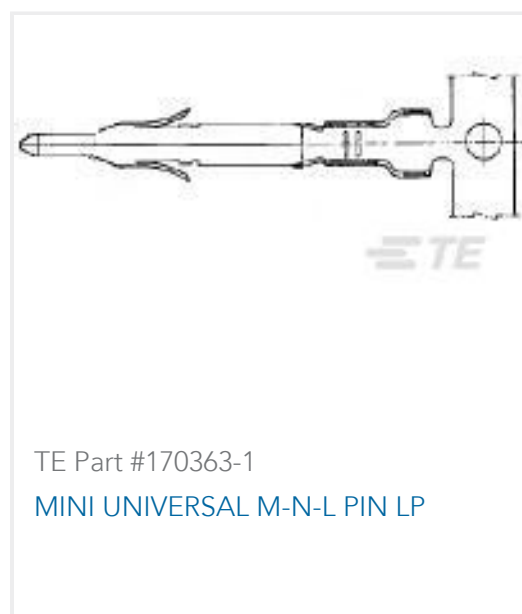
TE Part # 1-770903-0
MINI UMNL PIN 22-18 AWG AU



Also in the Series | **Mini-Universal MATE-N-LOK**



Customers Also Bought



TE Part #170363-1
MINI UNIVERSAL M-N-L PIN LP



TE Part #170364-1
MINI UNIVERSAL M-N-L PIN LP



TE Part #170366-1
MINI UNIVERSAL M-N-L SOCKET LP



TE Part #172159-1
4 CIR UNIV M-N-L CAP



TE Part #172160-1
6 CIR UNIV M-N-L CAP



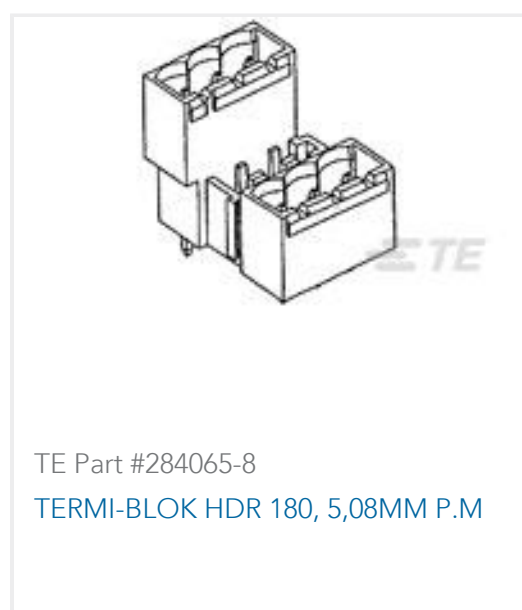
TE Part #172167-1
4 CIR UNIV M-N-L PLUG



TE Part #172168-1
6 CIR UNIV M-N-L PLUG



TE Part #172234-1
3P MINI UNIVERSAL MATE-N-LOK
CAP HOUSING



TE Part #284065-8
TERMI-BLOK HDR 180, 5,08MM P.M



TE Part #720961-2
INSULATION CRIMPER

Documents

Product Drawings

2 POS MINI UMNL CAP HOUSING

English

CAD Files

3D PDF

3D

Customer View Model

[ENG_CVM_CVM_172233-1_E.2d_dxf.zip](#)

English

Customer View Model

[ENG_CVM_CVM_172233-1_E.3d_igs.zip](#)

English

Customer View Model

[ENG_CVM_CVM_172233-1_E.3d_stp.zip](#)

English

By downloading the CAD file I accept and agree to the [Terms and Conditions](#) of use.

Datasheets & Catalog Pages



SOFT_SHELL_PIN_AND_SOCKET_CONNECTORS_CATALOG

English

[mini-universal-mate-n-lok-connectors](#)

English

Product Specifications

[Engineering Report](#)

English

Instruction Sheets

[Instruction Sheet \(U.S.\)](#)

English

[Instruction Sheet \(U.S.\)](#)

English

Agency Approvals

[Agency Approval Document](#)

English